

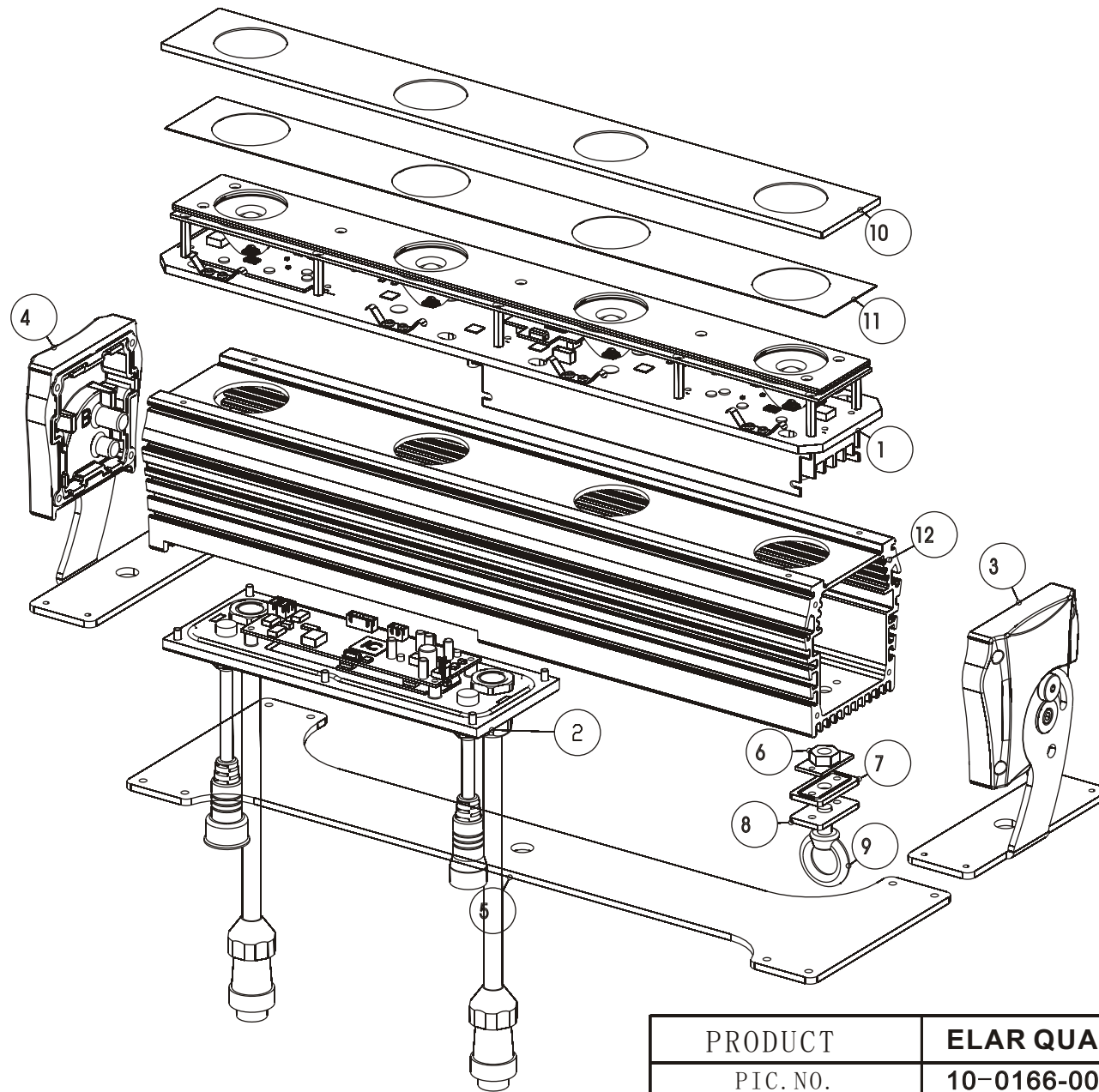
Service manual

ELAAR QUAD BAR

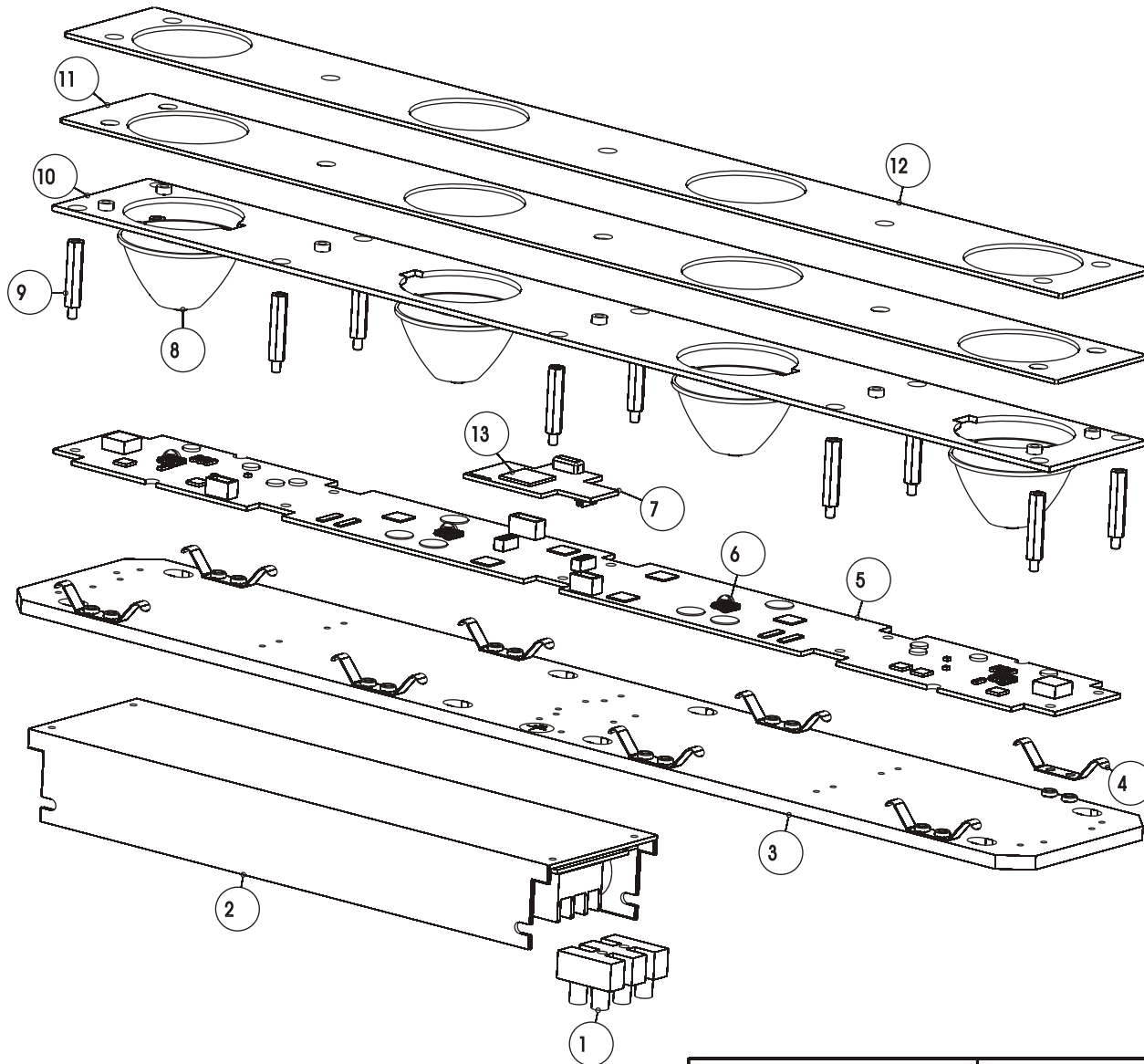
- ✘ **Exploded Diagrams**
- ✘ **Circuit Diagrams**
- ✘ **Wiring Diagrams**
- ✘ **Parts List**



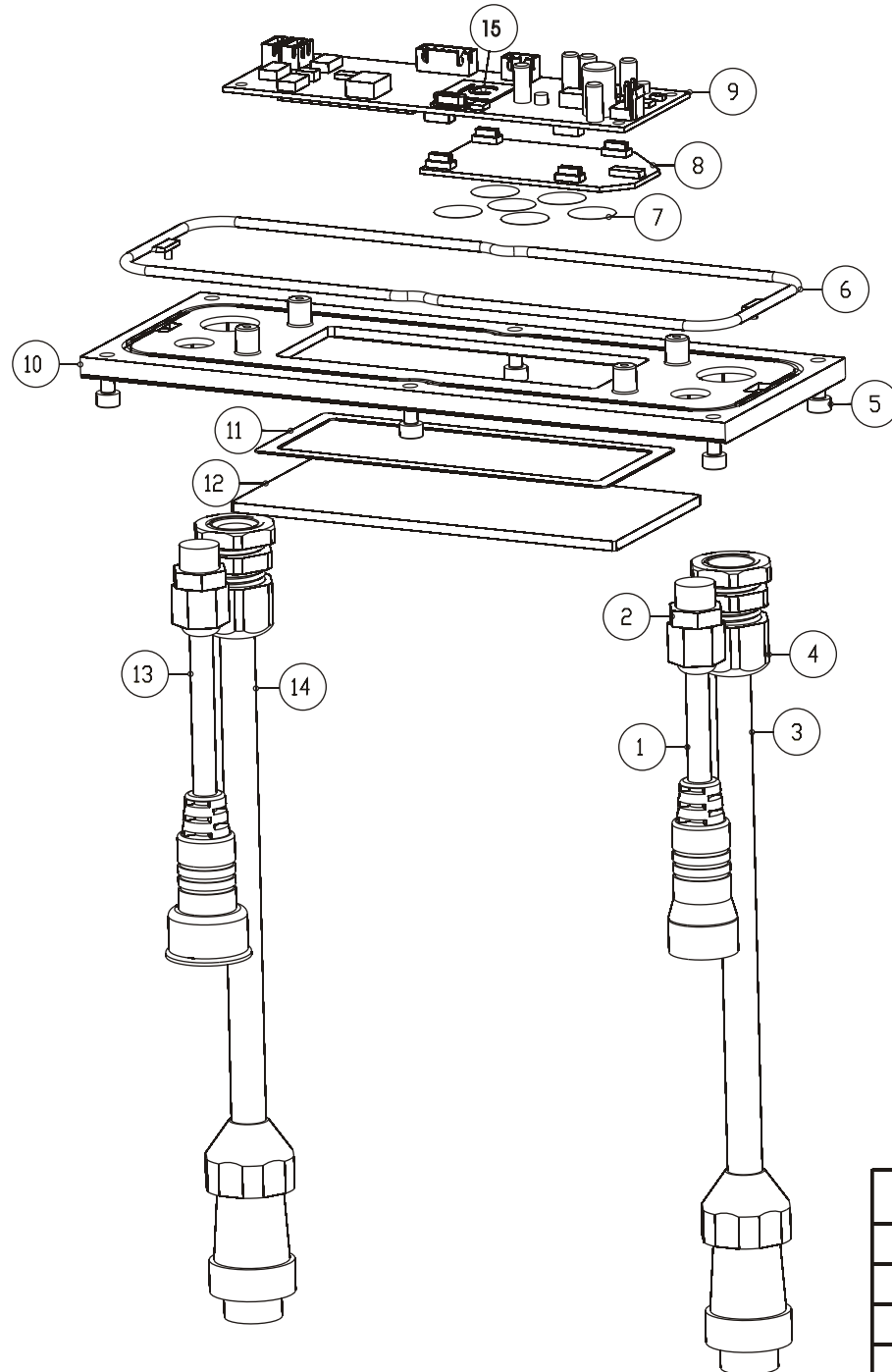
PRODUCT	ELAR QUAD BAR			
PIC. NO.	Front Page	Series No.	2222401-2222450	
EDIT		FILE NO.	HY-EXP-980A	
CHECK		ORDER NO.	S020120463/EAR900	
APPROVE		VERSION	NR	SOFTWARE VER. V1.0



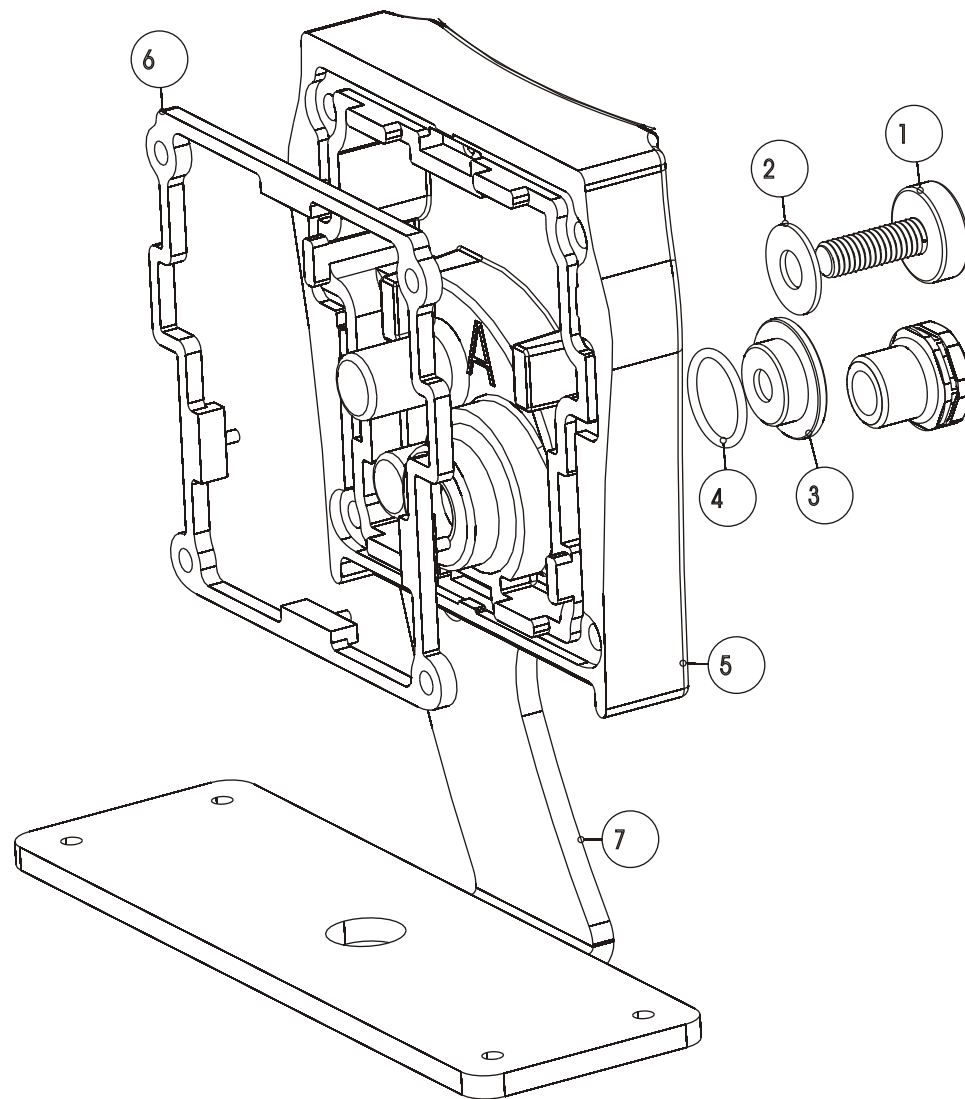
PRODUCT		ELAR QUAD BAR			
PIC. NO.		10-0166-00-00-00			
EDIT		FILE NO.	HY-EXP-980A	PAGE NO.	1/10
CHECK		VERSION	NR	DATE	2012.4.5
APPROVE		ECN NO.		DATE	



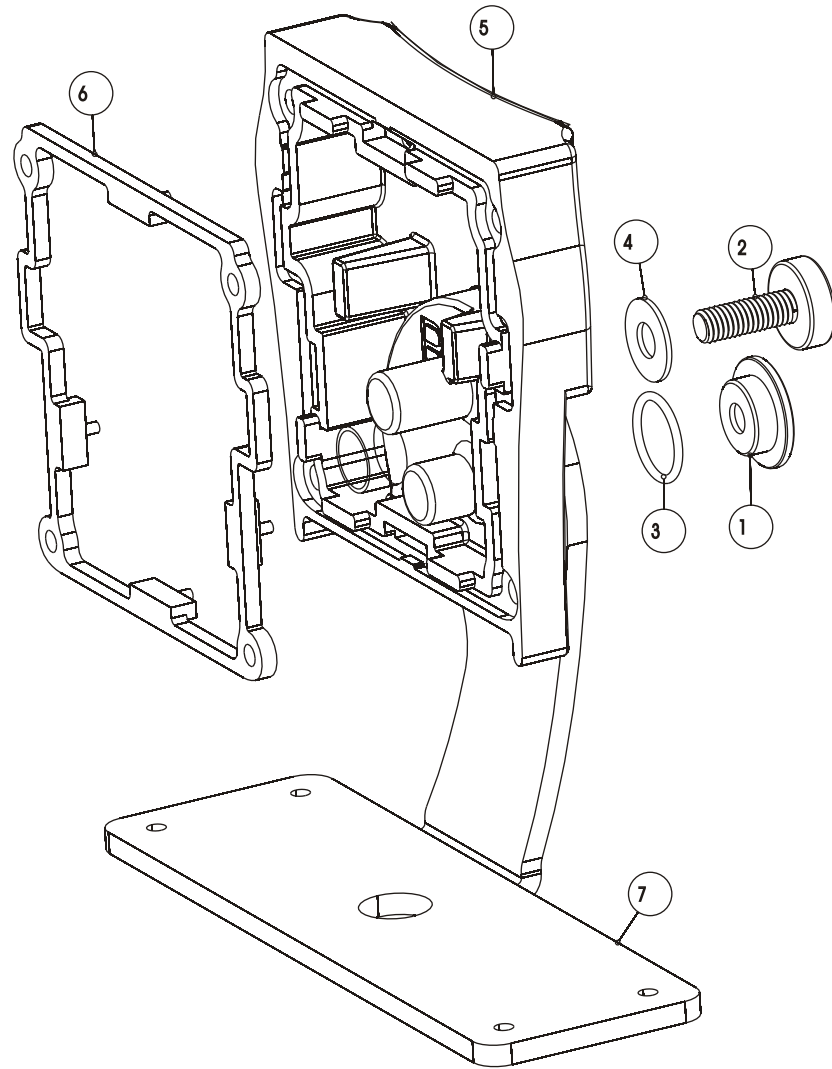
PRODUCT		ELAR QUAD BAR			
PIC. NO.		10-0166-01-00-00			
EDIT		FILE NO.	HY-EXP-980A	PAGE NO.	2/10
CHECK		VERSION	NR	DATE	2012.4.5
APPROVE		ECN NO.		DATE	



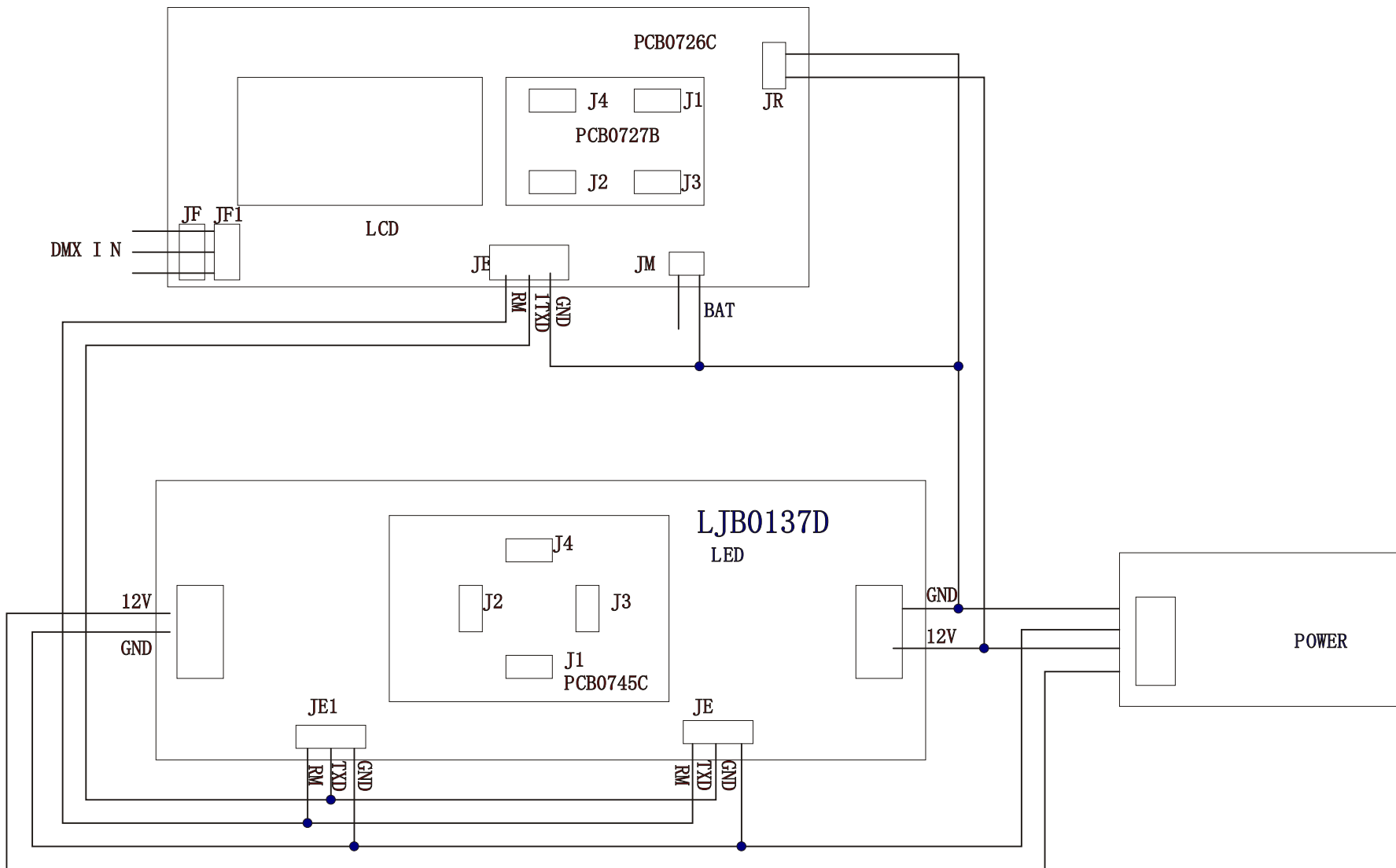
PRODUCT		ELAR QUAD BAR			
PIC. NO.		10-0166-02-00-00			
EDIT		FILE NO.	HY-EXP-980A	PAGE NO.	3/10
CHECK		VERSION	NR	DATE	2012.4.5
APPROVE		ECN NO.		DATE	



PRODUCT		ELAR QUAD BAR			
PIC. NO.		10-0166-03-00-00			
EDIT		FILE NO.	HY-EXP-980A	PAGE NO.	4/10
CHECK		VERSION	NR	DATE	2012.4.5
APPROVE		ECN NO.		DATE	

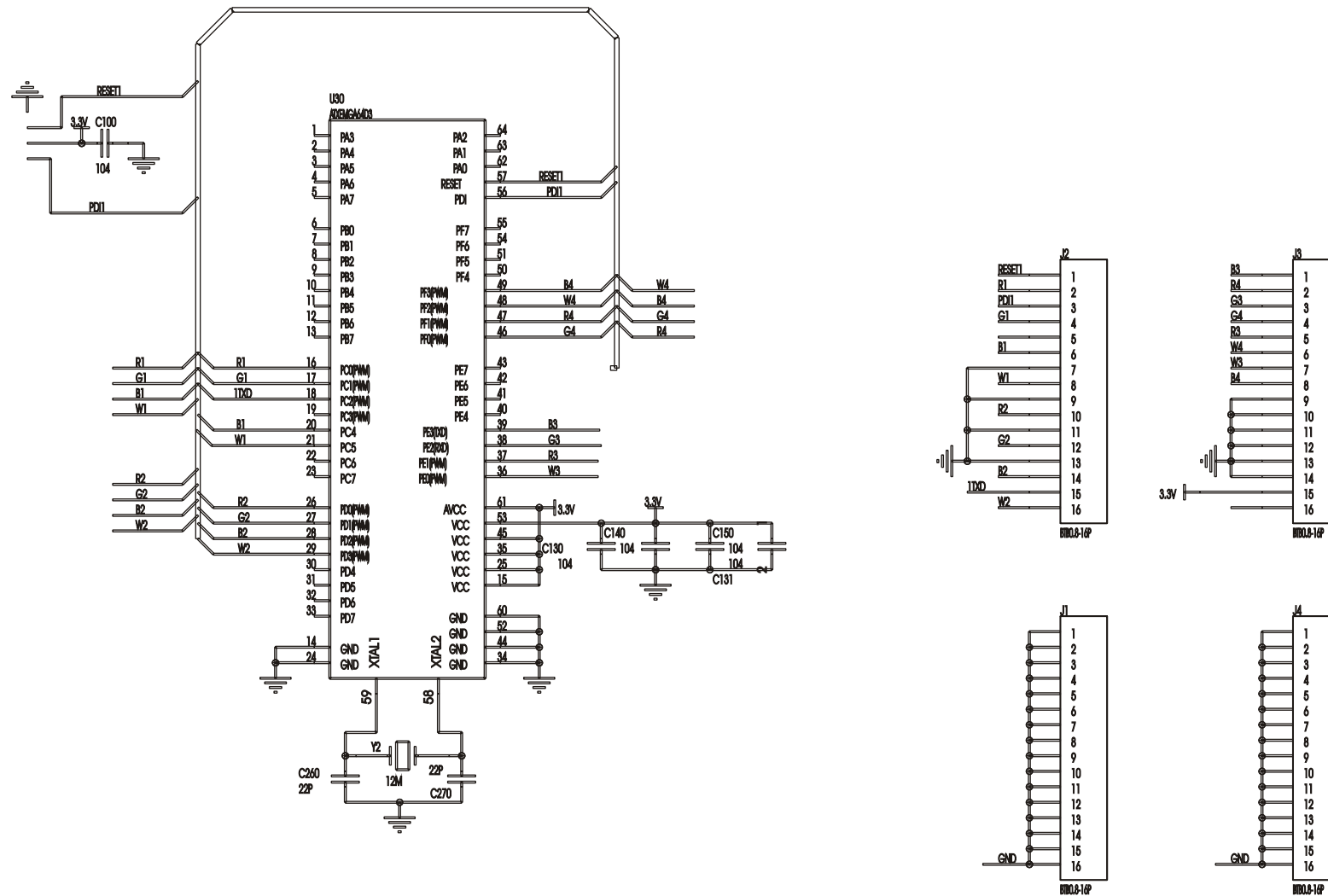


PRODUCT		ELAR QUAD BAR			
PIC. NO.		10-0166-04-00-00			
EDIT		FILE NO.	HY-EXP-980A	PAGE NO.	5/10
CHECK		VERSION	NR	DATE	2012.4.5
APPROVE		ECN NO.		DATE	

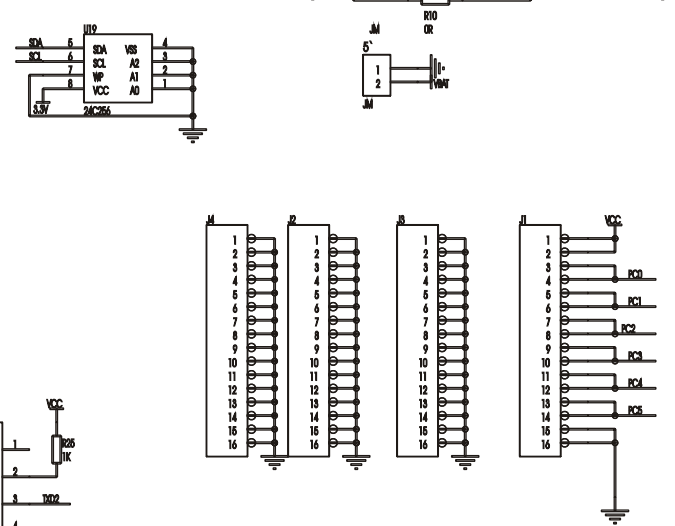
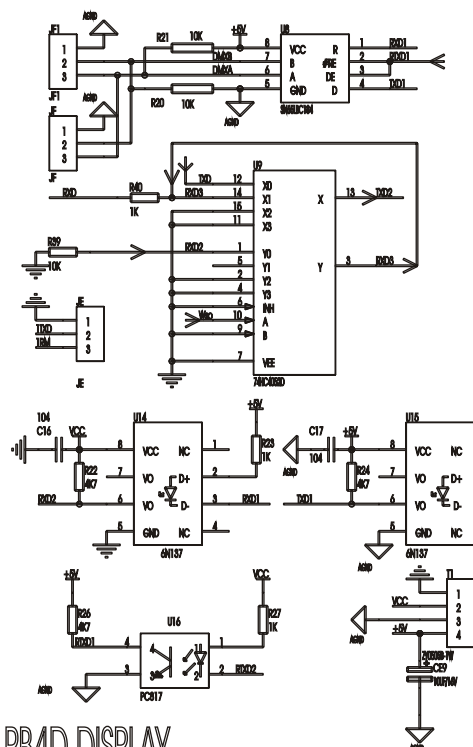
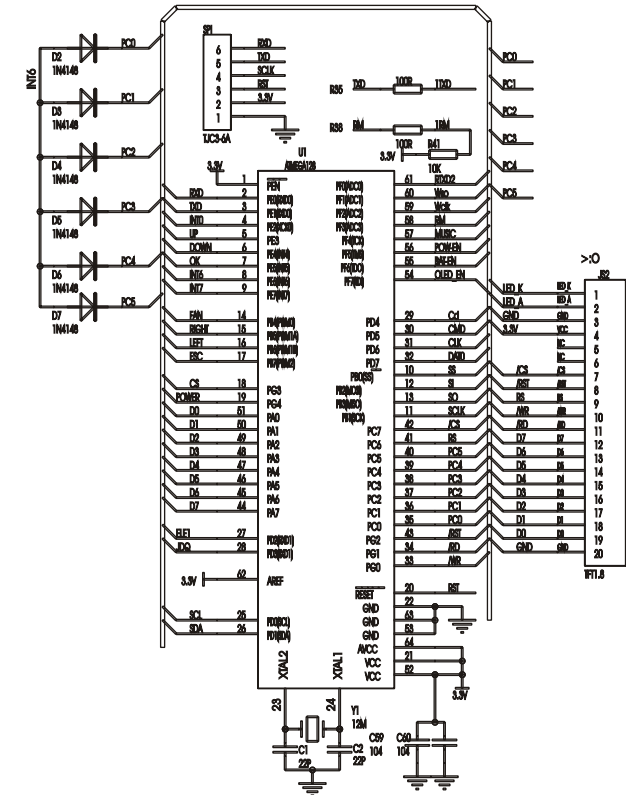
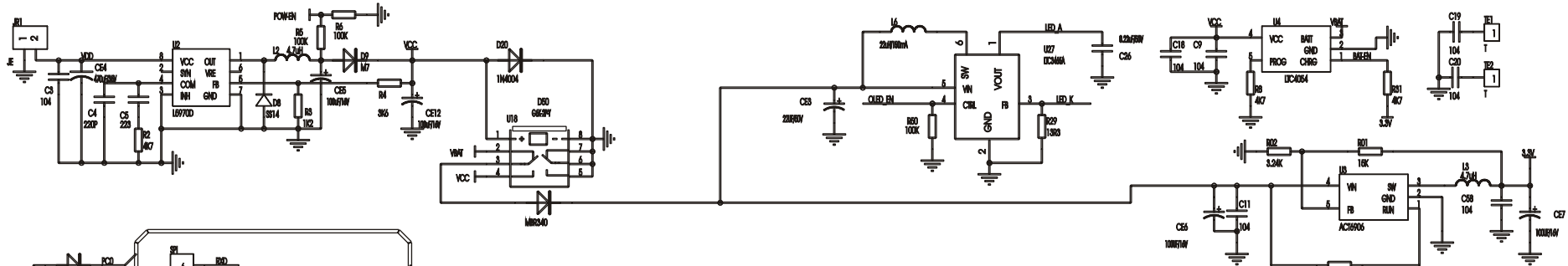


PB4D

PRODUCT		ELAR QUAD BAR			
PIC. NO.		ELAR QUAD BAR ELECTRIC			
EDIT		FILE NO.	HY-WIJL-G157	PAGE NO.	6/10
CHECK		VERSION	NR	DATE	2012.4.5
APPROVE		ECN NO.		DATE	

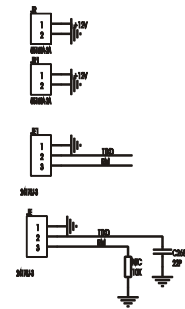
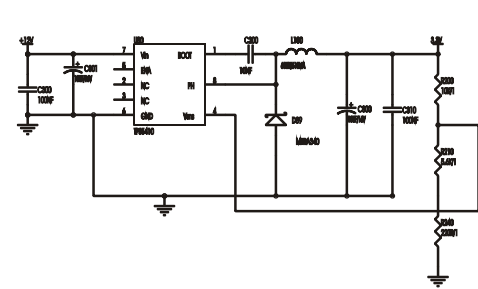
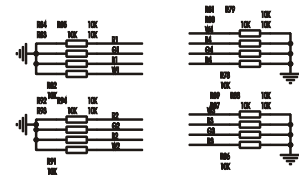
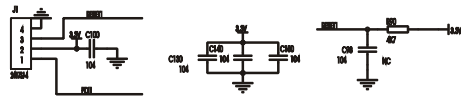
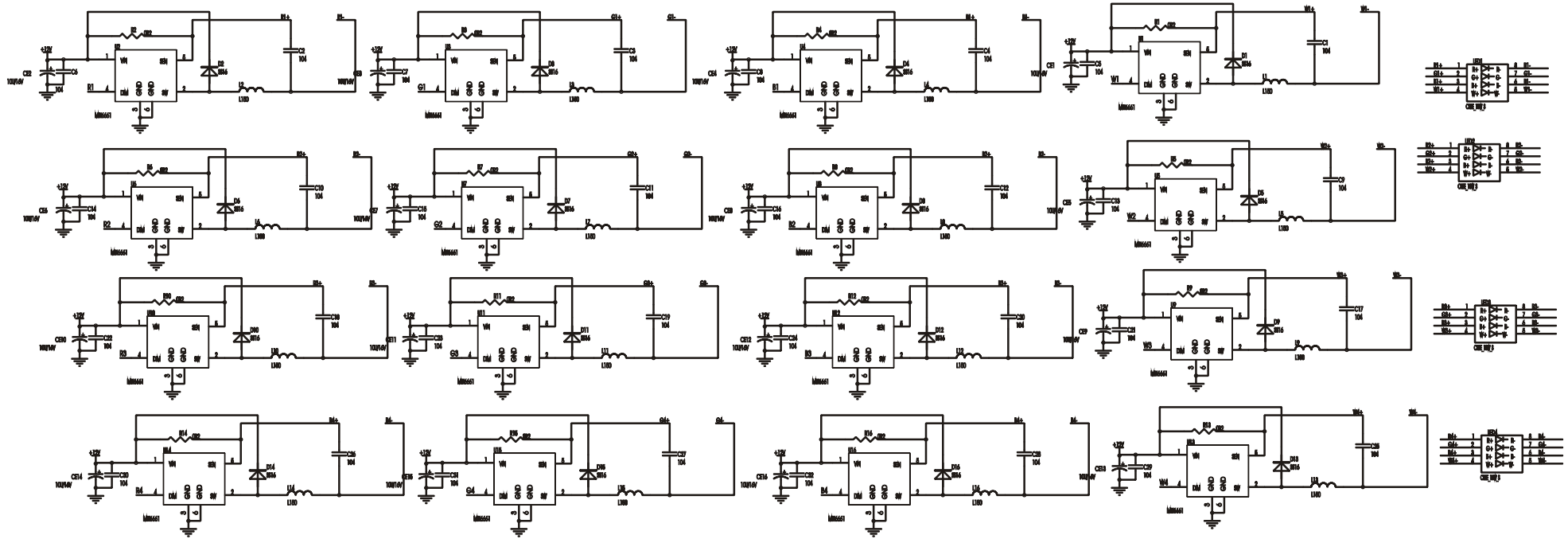


PRODUCT		ELAR QUAD BAR			
PIC. NO.		PCB0745C SCHEME			
EDIT		FILE NO.	HY-WIEC-0949-01-1	PAGE NO.	7/10
CHECK		VERSION	NR	DATE	2012. 4. 5
APPROVE		ECN NO.		DATE	

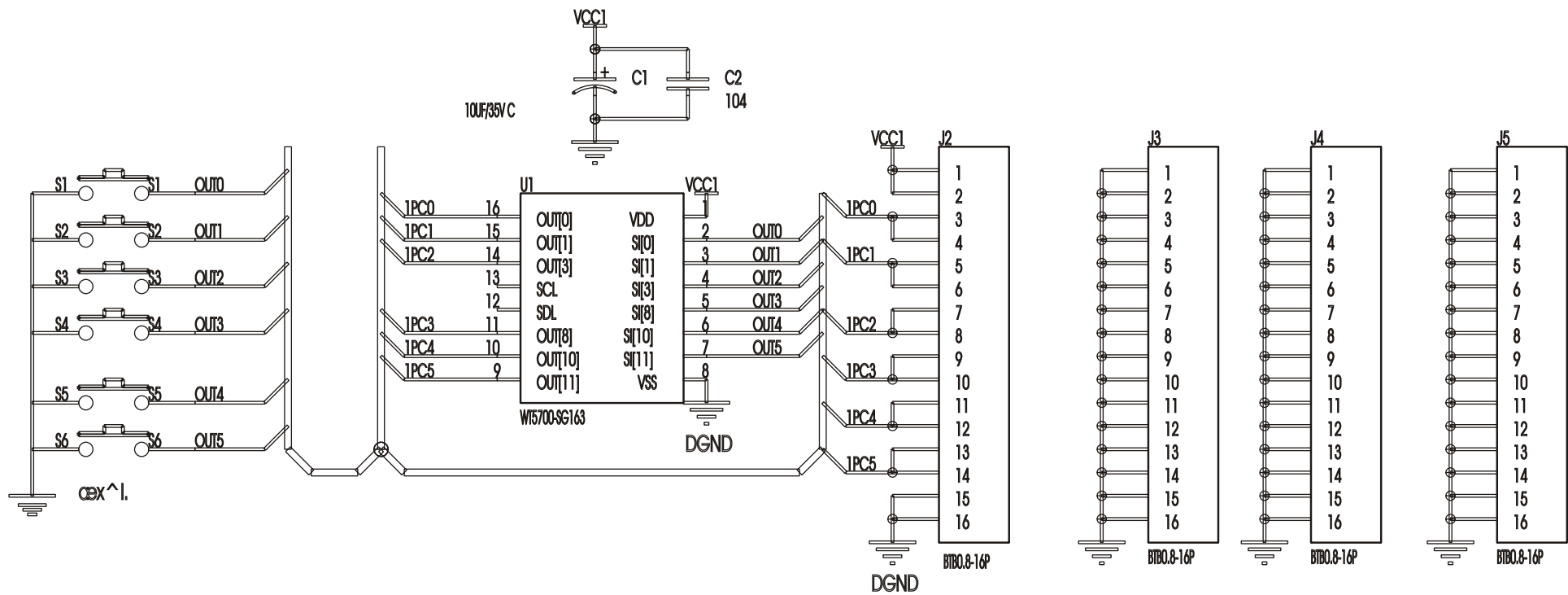


PB4D DISPLAY

PRODUCT		ELAR QUAD BAR			
PIC. NO.		PCB0726C SCHEME			
EDIT		FILE NO.	HY-WIEC-0950-01-1	PAGE NO.	8/10
CHECK		VERSION	NR	DATE	2012. 4. 5
APPROVE		ECN NO.		DATE	



PRODUCT		ELAR QUAD BAR			
PIC. NO.		LJB0137D SCHEME			
EDIT		FILE NO.	HY-WIEC-0947-01-1	PAGE NO.	9/10
CHECK		VERSION	NR	DATE	2012. 4. 5
APPROVE		ECN NO.		DATE	



PRODUCT		ELAR QUAD BAR			
PIC. NO.		PCB0727B SCHEME			
EDIT		FILE NO.	HY-WIEC-0933-01-1	PAGE NO.	10/10
CHECK		VERSION	NR	DATE	2012. 4. 5
APPROVE		ECN NO.		DATE	